

1" Rotogage® Dial for Large Mobile and Stationary Containers A9090 Series

Application

Rotogage® dials are designed to provide an accurate determination of LP-Gas or anhydrous ammonia container contents. They mount in a standard 1" NPT coupling on large mobile or stationary containers.

To operate the Rotogage® dials, the vent valve is opened and the dip tube rotated slowly from the container vapor space to the liquid space. The difference in appearance of the discharge indicates when the liquid level is reached. Dial readings then indicate the percentage of product in the container.

Features

- Supported design (TS Models) eliminates whipping and the need for internal support hangers.
- Resistance-free nylon bearing inserts reduce friction and promote operating ease.
- Dial face is dual calibrated to provide greater accuracy in reading contents in containers which are not level.
- Interchangeable accessory dials permit interchangeable service between LP-Gas and anhydrous ammonia.

Materials

Body	Steel
Stem	Steel
Dip Tube	Seamless Steel
Indicator	Malleable Iron
Dial Plate	Aluminium
Vent Stem	Stainless Steel

Tubes for use with A9090 Series Rotogage® Dial
Cut to length required.

Service	Part Number
Up to 48"	A9091-M24.0
Up to 72"	A9091-M36.0
Up to 96"	A9091-M48.0
Up to 120"	A9091-M60.0
Up to 144"	A9091-M72.0



Rotogage® Dial



A9091-18LX

Rotogage® Dials

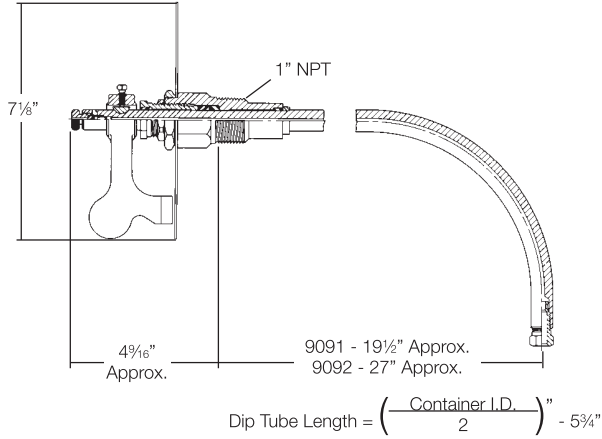
Ordering Information

Part Number	Service	Container Size
A9091-18L	LP-Gas	All Sizes
A9091-18LX*	LP-Gas	Over 1200 U.S. gallons
A9091-18N	NH ₃	All Sizes

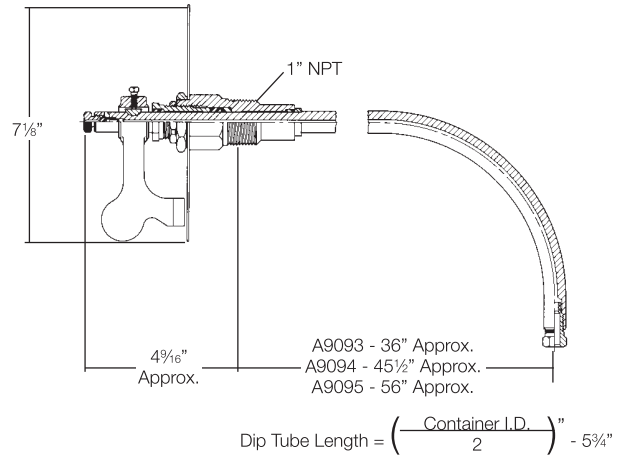
* Dial permits higher filling level, per NFPA 58,

1" Rotogage® Dials for Large Mobile and Stationary Containers

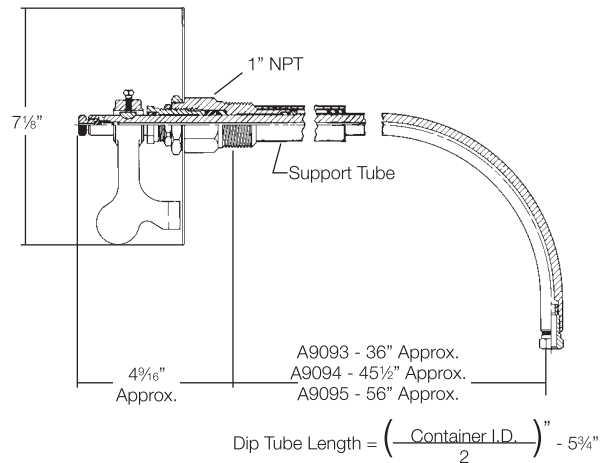
For Small Mobile or Stationary Containers
A9091R and A9092R Series



For Large Stationary Containers
9093RS, 9094RS and 9095RS Series



For Large Mobile or Stationary Containers
A9093TS, A9094TS and A9095TS Series



Ordering Information

Part Number		For Container Inside Diameter			
		Ellipsoidal Heads		Hemispherical Heads	
For Mobile or Stationary Containers	For Stationary Containers Only	Side Mounted	End Mounted	Side Mounted	End Mounted
A9091R	-	30" - 45"	30" - 75"	30" - 45"	30" - 45"
A9092R	-	46" - 61"	76" - 108"	46" - 61"	46" - 61"
A9093TS*	A9093RS	62" - 79"	109" - 147"	62" - 79"	62" - 79"
A9094TS*	A9094RS	80" - 99"	-	80" - 99"	80" - 99"
A9095TS*	A9095RS	100" - 147"	-	100" - 147"	100" - 147"

* Supported Design
NOTE: The dip tube must be cut to the required length (1/2" of container inside diameter minus 5 3/4").